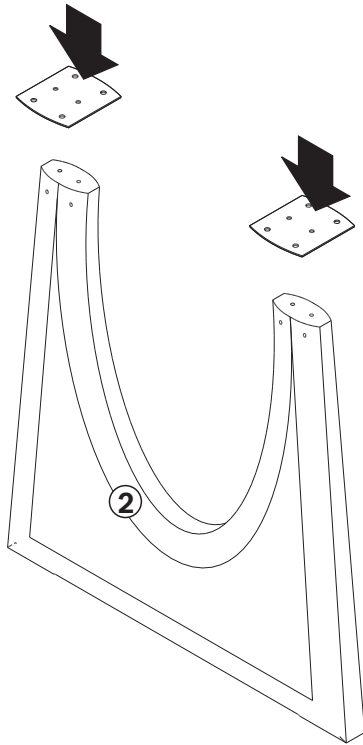




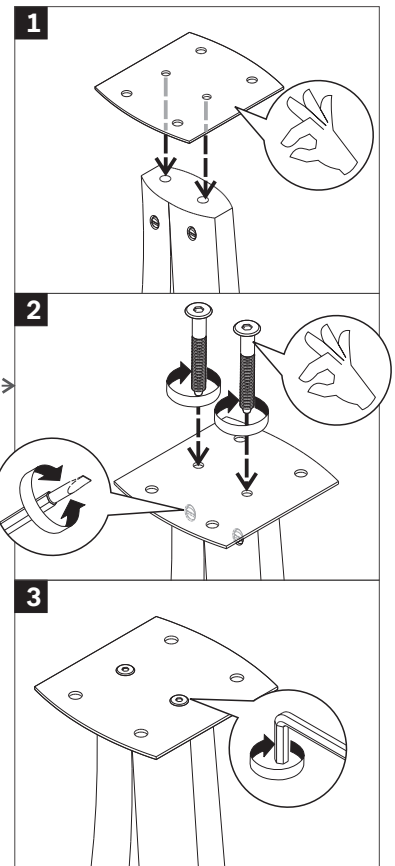
## 55013 OAK GEOMETRIC DINING TABLE

### ASSEMBLY INSTRUCTIONS FOR DINING TABLE INSTALLATION

#### A. INSTALLING METAL PLATE TO THE LEGS

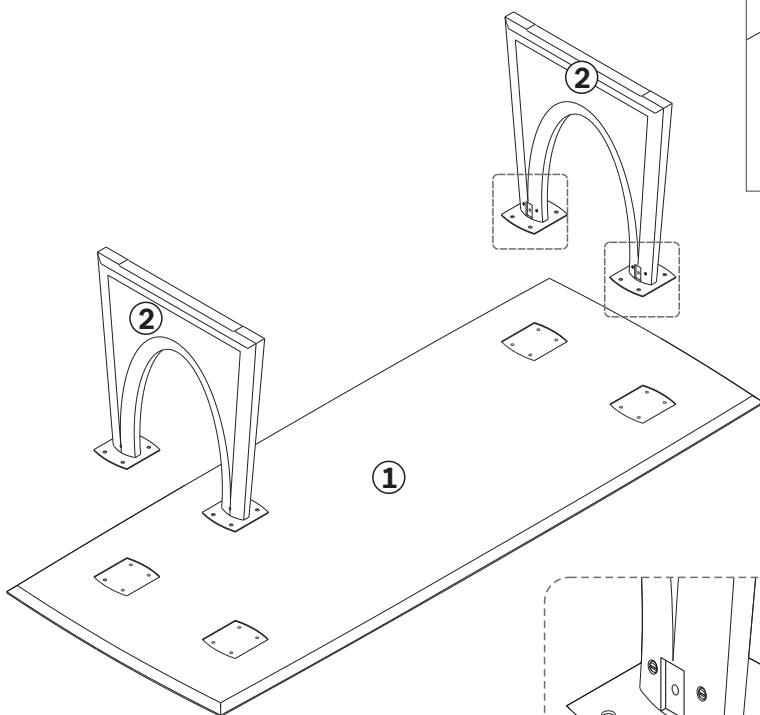


WITH SCREWDRIVER TO FIT SCREW INTO THE BARREL NUT

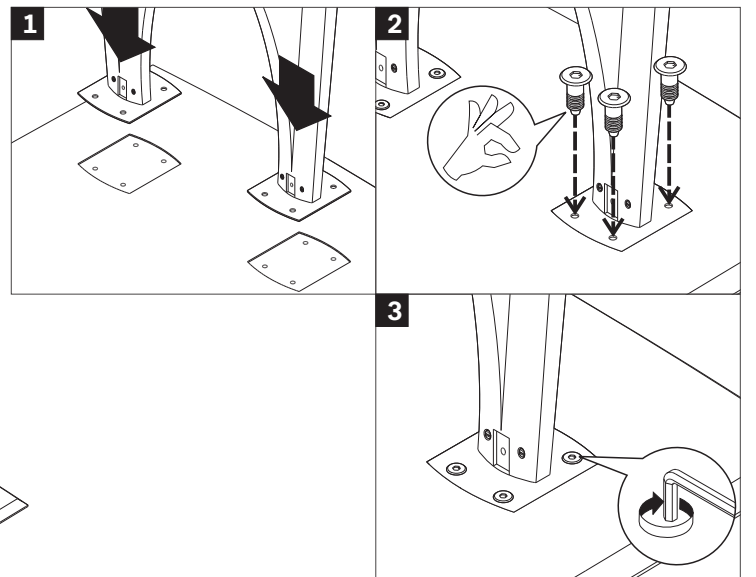


- ! - USE METAL PLATE (4X)
- USE SCREW M8x50mm (8X)
- USE L KEY 5 TO TIGHTEN
- TIGHTEN FULLY ALL SCREWS

#### B. INSTALLING LEGS TO TABLE TOP



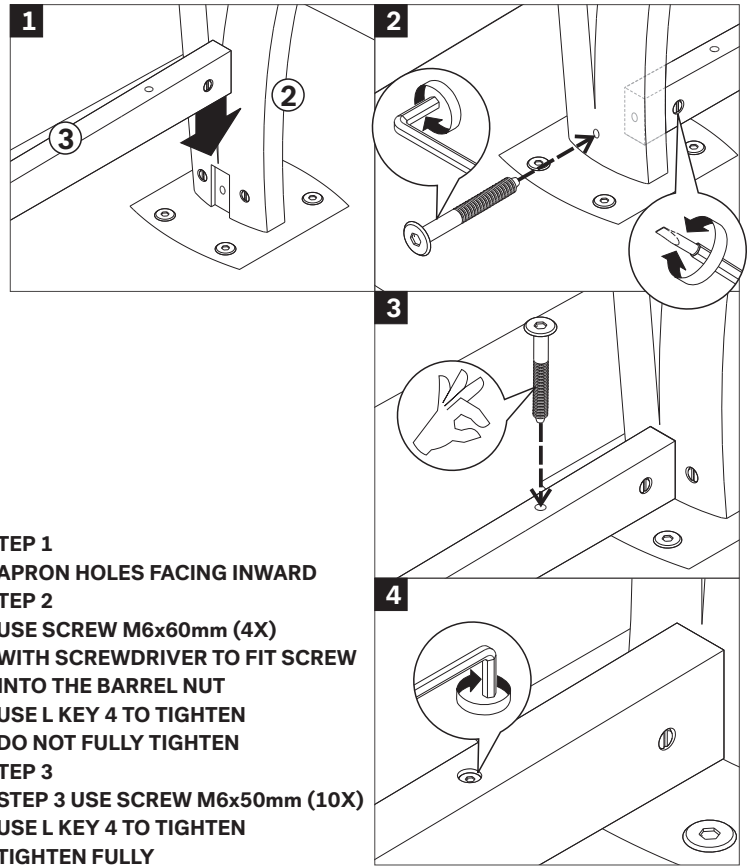
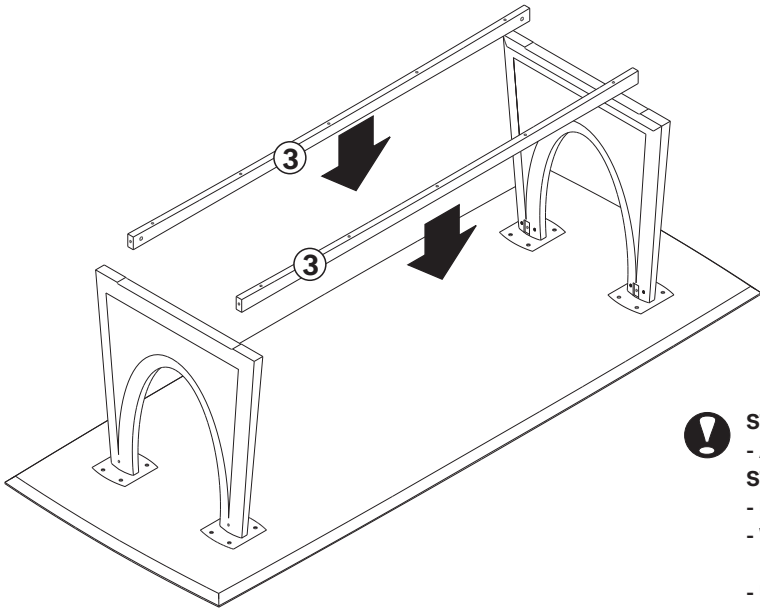
THE GROOVE OF THE LEGS  
MUST BE FACING INWARD



- ! - USE SCREW M8x16mm (16X)
- USE L KEY 5 TO TIGHTEN
- DO NOT FULLY TIGHTEN

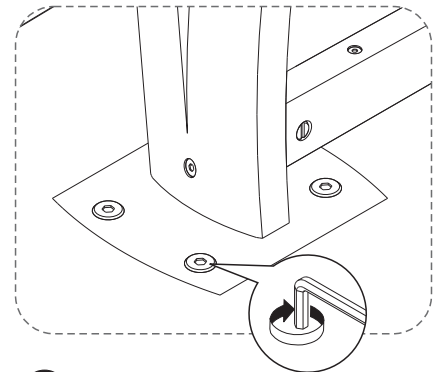
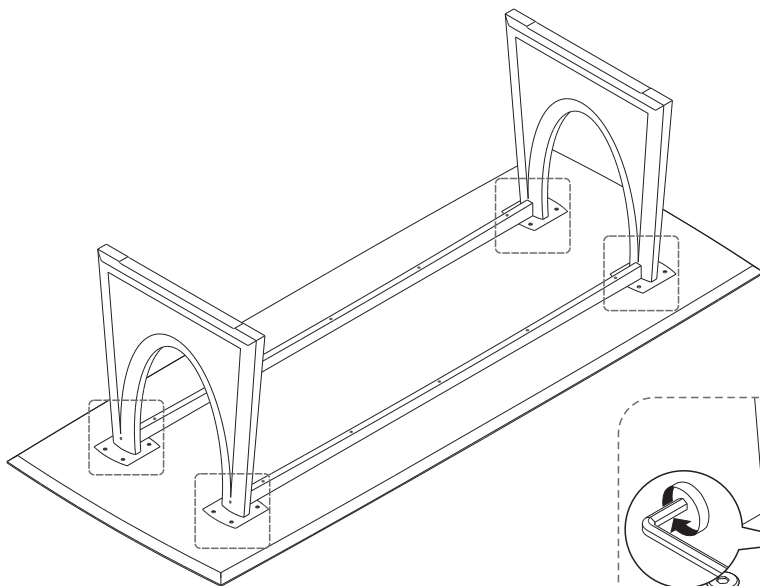
**55013 OAK GEOMETRIC DINING TABLE**  
**ASSEMBLY INSTRUCTIONS FOR DINING TABLE INSTALLATION**

**C. INSTALLING APRON TO THE LEGS & TABLE TOP**

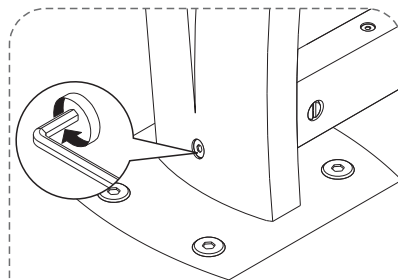


- STEP 1**
- APRON HOLES FACING INWARD
- STEP 2**
- USE SCREW M6x60mm (4X)
- WITH SCREWDRIVER TO FIT SCREW INTO THE BARREL NUT
- USE L KEY 4 TO TIGHTEN
- DO NOT FULLY TIGHTEN
- STEP 3**
- STEP 3 USE SCREW M6x50mm (10X)
- USE L KEY 4 TO TIGHTEN
- TIGHTEN FULLY

**D. RE-TIGHTEN ALL SCREWS**



**USE L KEY 5 TO TIGHTEN FULLY**



**USE L KEY 4 TO TIGHTEN FULLY**